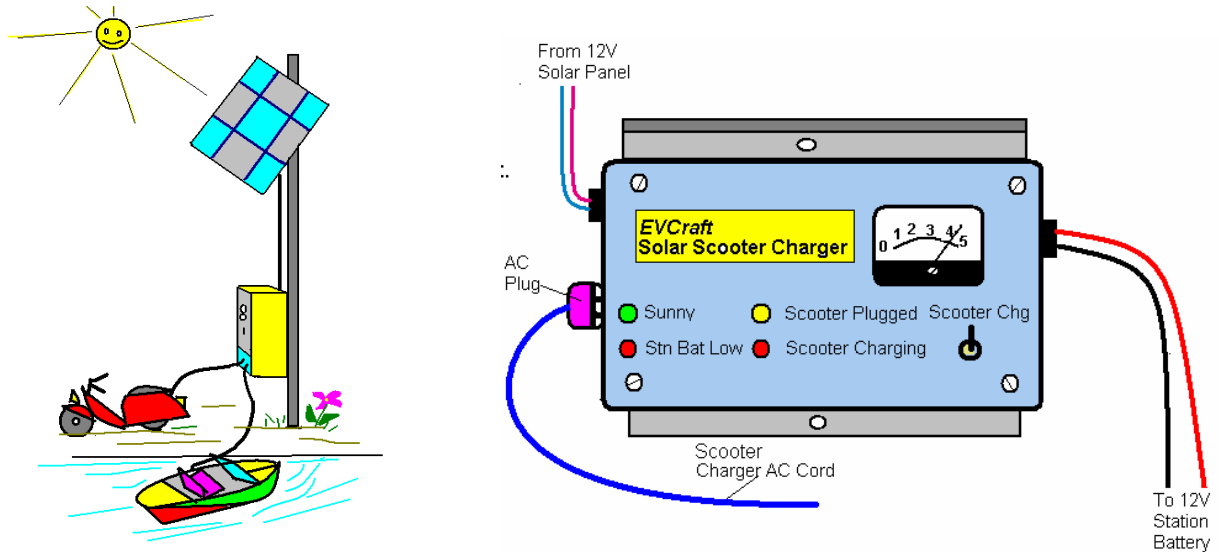


## SOLAR CHARGE STATION FOR ELECTRIC BOAT/ SCOOTER

- Charge your Electric Vehicle without paying for electricity
- Charge where there is no electricity (Lakeside, Farm, Cottage, etc.)
- Features Station Battery to charge the vehicle at night or cloudy days.
- Produces 115VAC (or 230VAC) to use Scooter's own charger



Imagine charging your Electric Boat, Scooter, Snow-craft or any other Electric Vehicle at your own solar charge station. You can set up this small station anywhere with no need for electric power service.

This affordable system consists of a 12V Solar Panel, a 12V Deep-Cycle Station Battery and a Controller. The controller charges station battery and produces 115VAC (or 230VAC) for the scooter charger

Further, an optional Remote Link informs the owner of station or vehicle charge troubles.

***This system is offered as complete kit or just its Controller (for customer purchased solar panel and station battery).***

### **SPECIFICATIONS:**

**Solar Panel:** nominal 12V, 80 to 100W (size usually 32" x 20")

**Optional Line Back-up:** Input from a 16VAC-75W class 2 transformer

**Station Battery:** 12V at least 100AH (group 29 Marine deep cycle)

**Station Controller:** A microprocessor based Charge controller for station battery charge as well as producing 115VAC or 230VAC (specify which) at its output plug.

**Output:** Standard 3-prong AC outlet; 115VAC 1A max or 230VAC 0.5A max

**LED Indications on the Controller:** Sunny and Station battery Charging (Green), Station Battery Low (Red), Scooter Plugged (Amber) and Scooter Charging Complete (RED).

**Charge Switch:** Toggle switch to enable AC power to scooter's own charger unit

**Remote Report:** A closed contact reports station trouble; Station Battery Low or incomplete scooter charge interruption. It can be connected to a remote LED Lamp or buzzer.

---

**ElectroCraft: 160 East Beaver Creek Rd, Unit #23 Richmond Hill, ON, L4B 3L4**  
**Tel. 416 937 6685 Web: [www.evcraft.com](http://www.evcraft.com) Email: [sales@evcraft.com](mailto:sales@evcraft.com)**